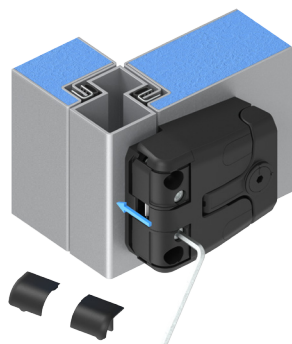
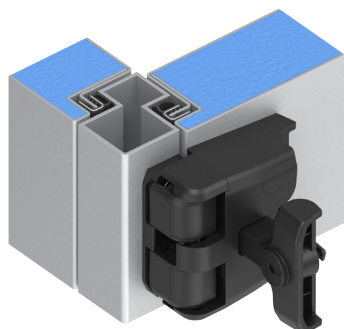
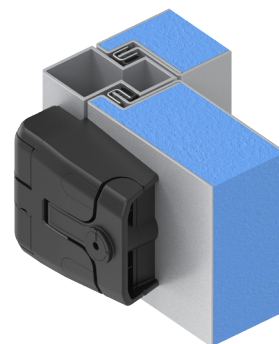


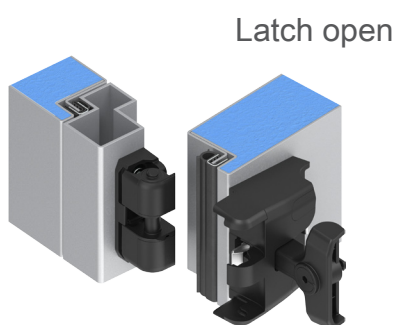
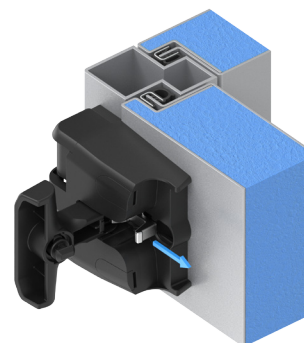
NEW



Latch locked

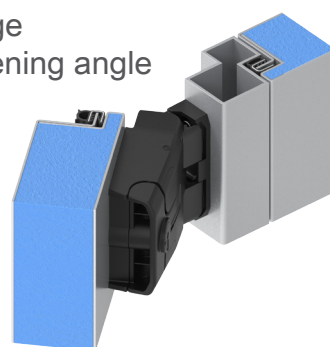


Latch with pressure relief,
handle unlatched



Latch open

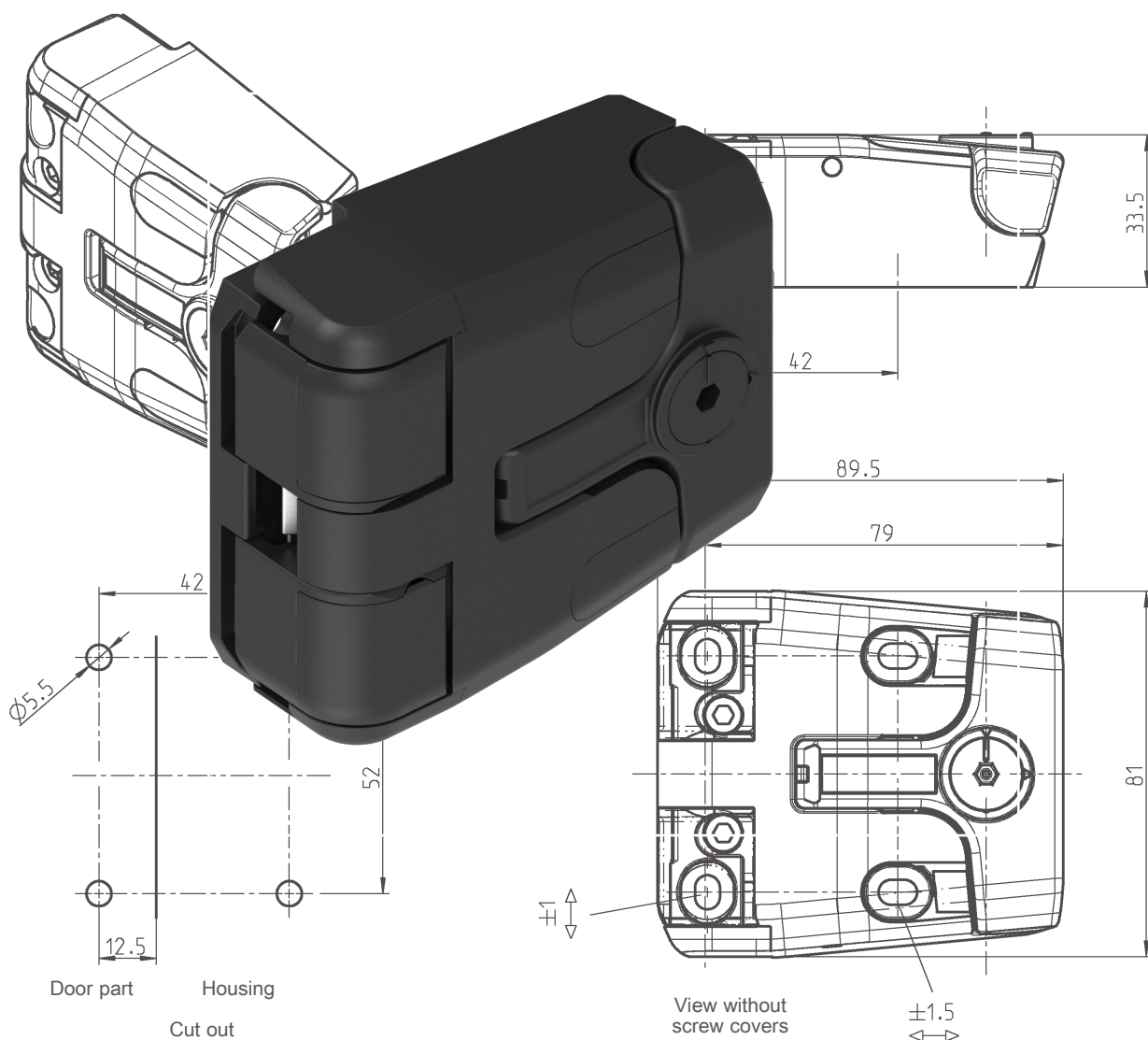
Hinge
with 180° opening angle



HVAC Compression Latch-Hinge

- Door or panel can be removed by unlatching the handles on both sides
- **3D adjustable**
- Latch hinge can be mounted as one piece with the door in place
- Right or left hinged
- Hinge 180° opening angle
- Compression (5 mm) with low opening & closing force
- **When the door is closed, the latch is adjustable to achieve perfect alignment**
- Available with or without Pressure Relief
- Available with round cylinder of zinc-die with stainless steel cap
- Also available in a variety of further locking options
- Material: Polyamide with 30% glass filled
- **Patented**

NEW



Product Features

Our EMKA Compression Latch-Hinge is designed to meet the demands of the HVAC industry with features that provide ease of assembly, adjustability, pressure differential accommodation, and flexibility for the end user.

Ease of Assembly: Once assembled to the door the EMKA compression latch can be adjusted to properly mate to the cabinet by moving both vertically and horizontally.

Adjustability: After installation, the alignment of the latch can be adjusted to eliminate leaks.

Positive Pressure Relief: The latch will prevent the door from opening fully until pressure has been equalized.

Flexibility: The latch allows the door to be swung open both left or right or easily removed completely. Latches can be configured for a multitude of locks.