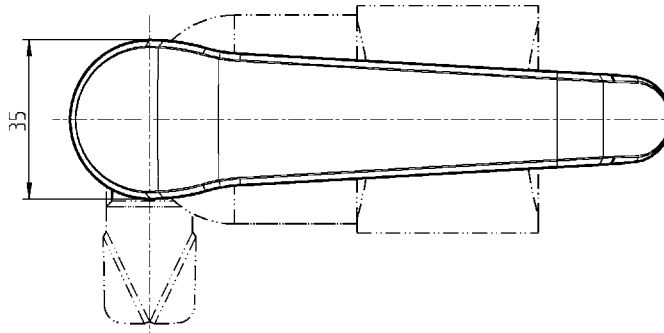
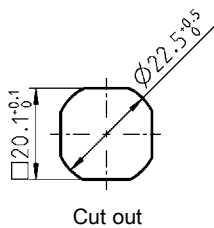
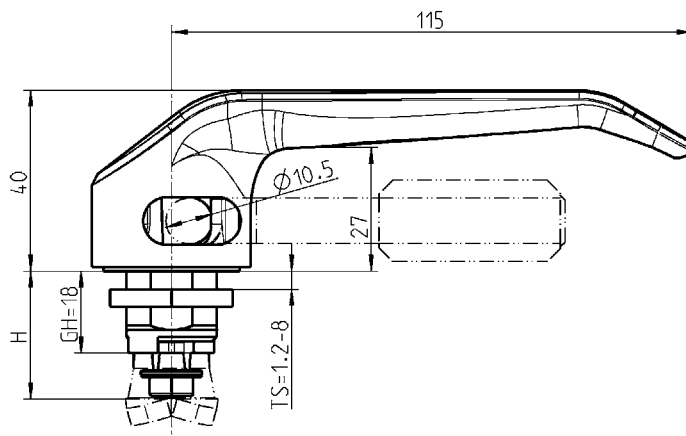
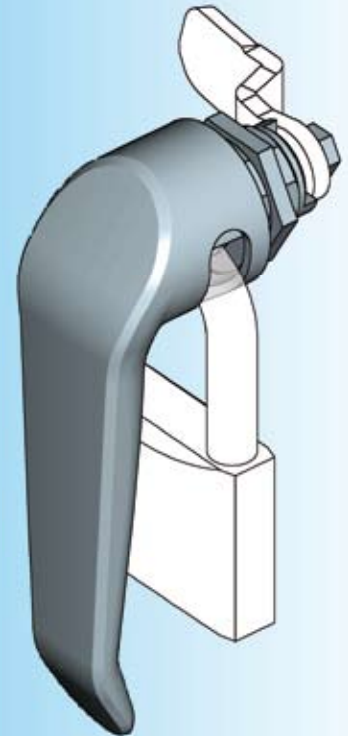
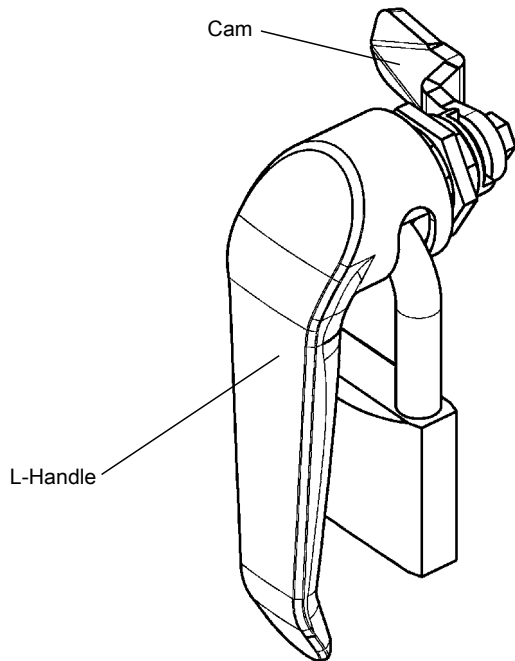


# L-Handle for padlock

## PROGRAM 1000



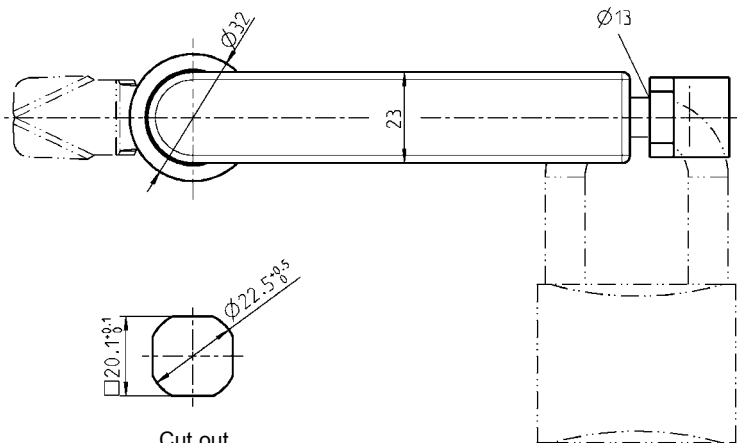
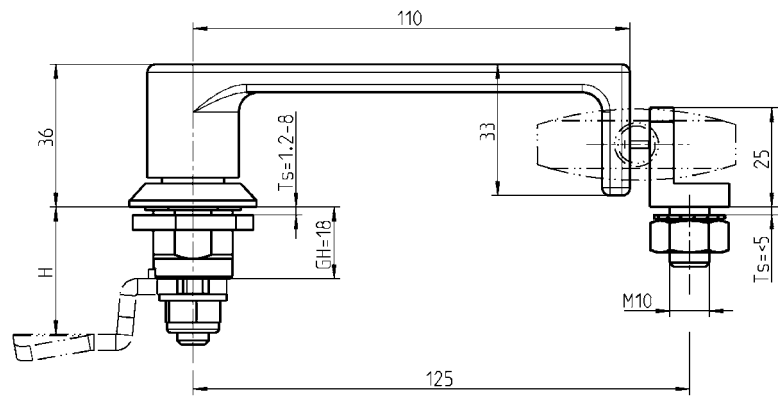
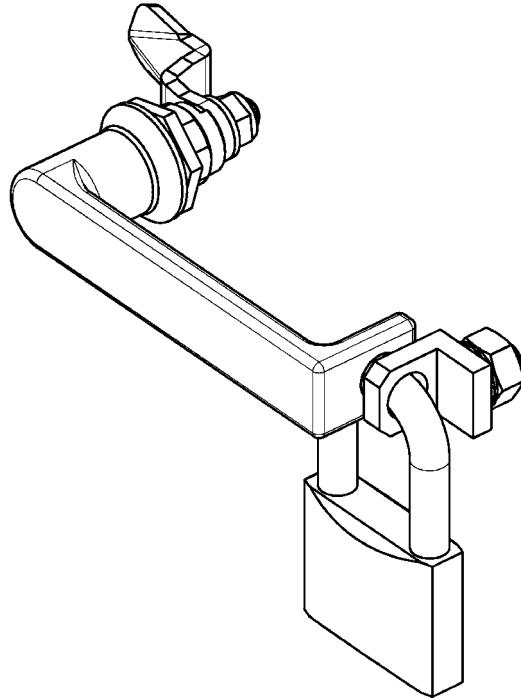
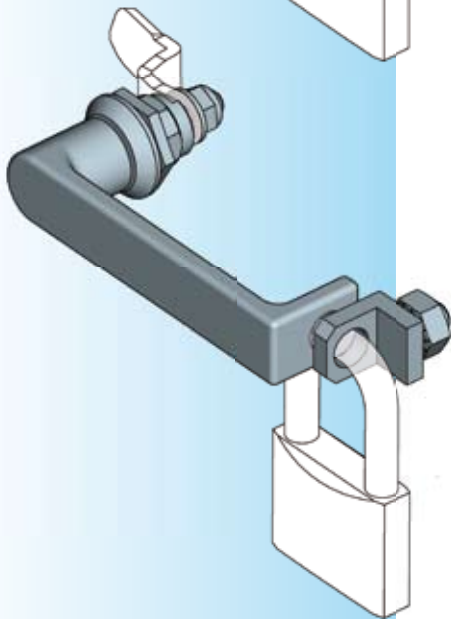
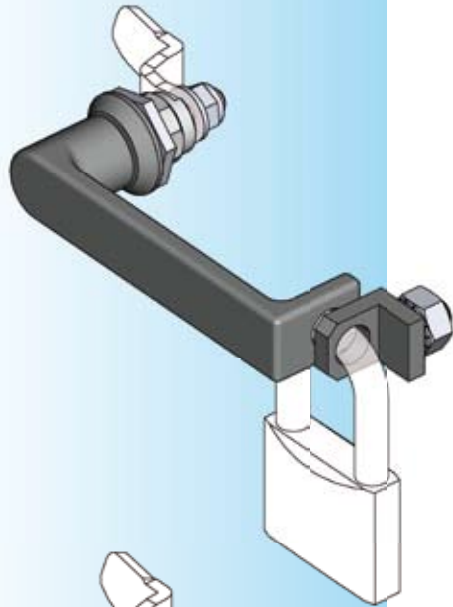
**Attention:**  
L-Handle is locked when a padlock is fitted.

**Further parts see page**  
 – Cam 1C-140  
 – Leading ramp 1C-170

L-Handle AISI 316; screw and nut stainless steel; with seal

1000-U860

See General Catalog 2011 for page references you can't find in the ECHO (e.g. 1B-105).



Further parts see page  
- Cam

1C-120  
1C-140

**Handle, nut and padlock bracket material on choice;  
nut and washer m.s. zinc plated or stainless steel; with seal.**

black powder coated steel investment casting

1000-U857

AISI 316

1000-U842