



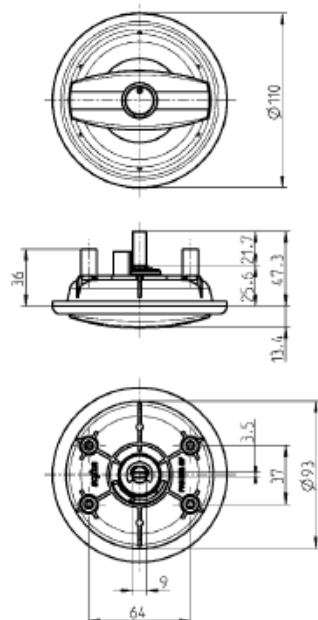
Further parts see page

- Interior lock 12F-125
- 12F-130
- Clip-in cylinder 12F-225



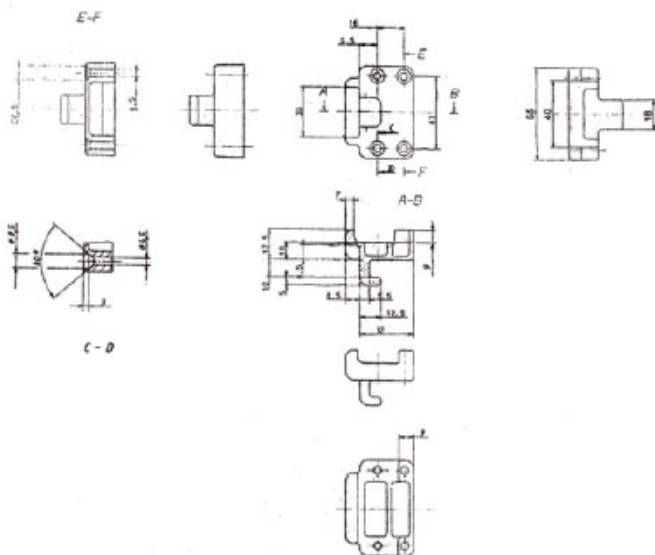
Further parts see page

- Interior lock 12F-125
- 12F-130
- 12F-140



Outside handle polyamide black, bush die-cast zinc plated ; drive shaft zinc die chrome plate, with gasket and spring

RH	9301-U500-AA
LH	9301-U501-AA



Locking block zinc die black, 4 plastic plugs

9500-U701-AC