



Program 1325

Swinghandle with variable locking system



product
design award

2013 ■

Locking systems in standard black

Background

With the product programme 1325 a successor system has been developed for the tried and trusted programme 1125 and 1225. The new swinghandles 1325 convincing us with the up-to-date and high-quality EMKA design as well as sophisticated ergonomics. All these advantages, combined with functional innovation , such as the locking system which can be exchanged quick and easily, have led to our success with

IF PRODUCT DESIGN AWARD 2013

This new, typical EMKA design is protected by international design patents.

The swinghandles 1325 (like their predecessors) are used inside and outside the gasketing (bending area in combination with rod control 45 x 25 mm). They can be used with the corresponding design of door and frame for left or right hinged doors.

The cut out is 50 - 50 - 50 / 25 or 150 x 25.



Advantages at one glance



product
design award

2013

- ① innovative design (award-winning)
(corresponds to new EMKA-design line)
- ② variable locking system
- ③ constant pivoting radius, independant of
the mounting type
- ④ optimized haptics
- ⑤ integrated scratch protection to avoid
surface damage (handle / dish)

Locking systems in standard black

Advantage ①



Innovative Design (award-winning)
Corresponds to the new EMKA designline

The swinghandle program 1325 has been
honoured with the renowned

IF PRODUCT DESIGN AWARD 2013



product
design award

2013 ■

because of its successful combination of
aesthetics and function. This is unique in
this area.

Locking systems in standard black

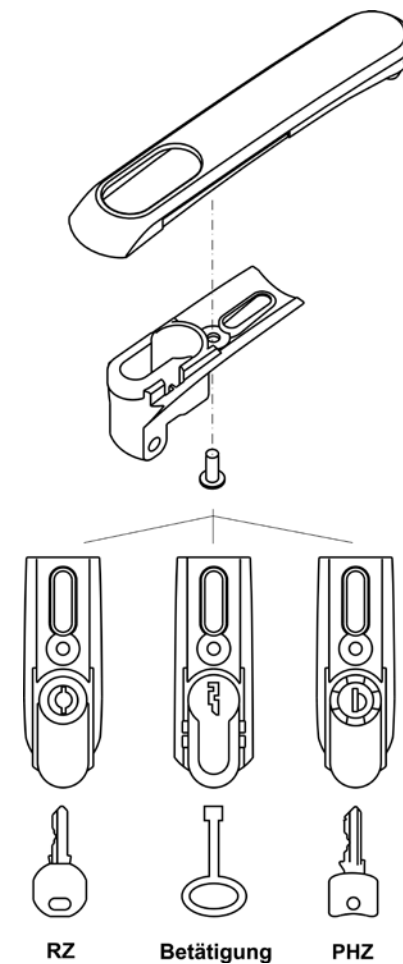
Advantage ②



Variable locking system

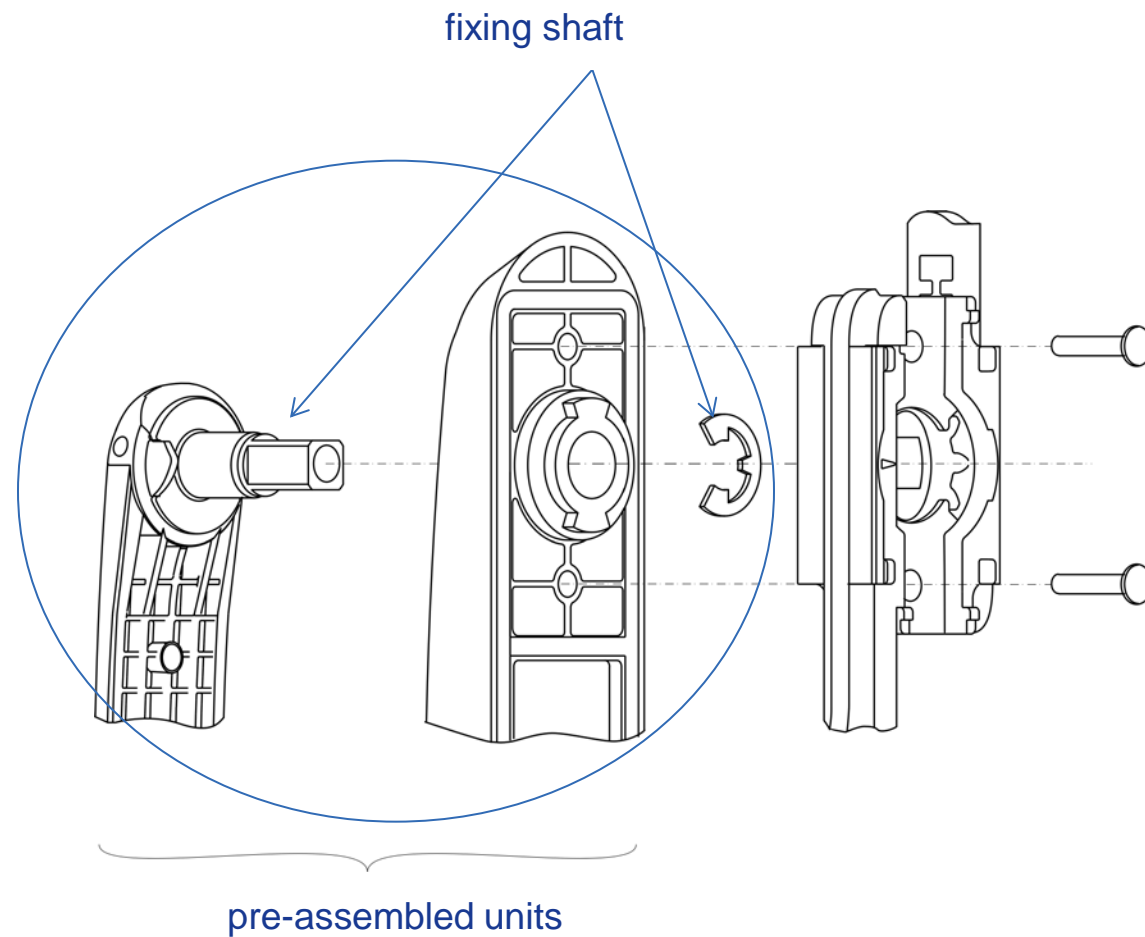
components, also field replaceable, for

- DIN profile-halfcylinder 40mm,
- roundcylinder EK 333 u.ä.
- all common inserts
- electromechanical inserts



Locking systems in standard black

Advantage ③



**Constant pivoting radius,
independant from the mounting type**

- combination with rod control -

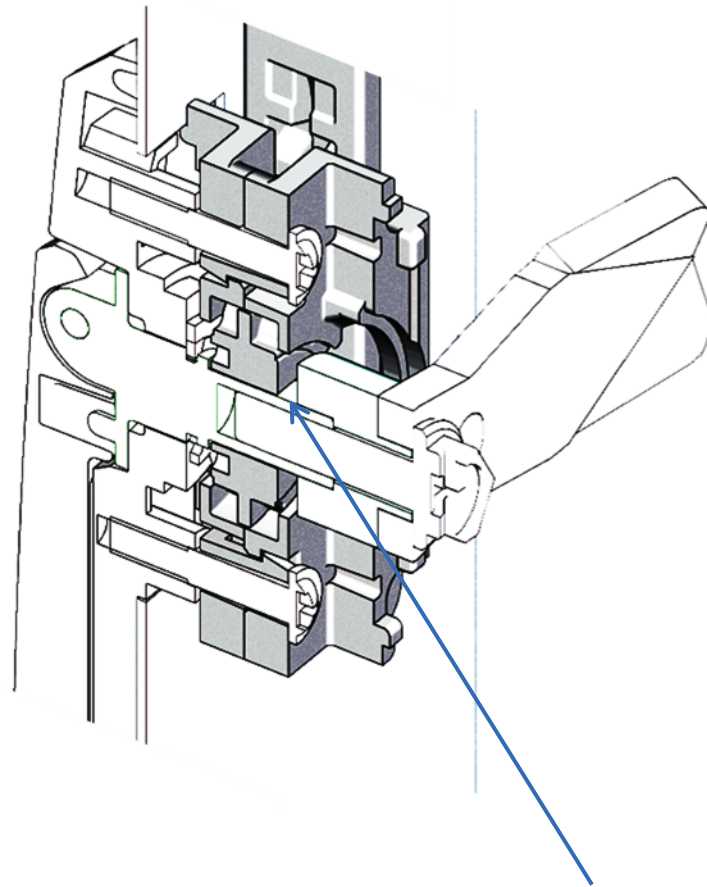
- shaft is fixed directly to escutcheon
- the rod control is fixed to the escutcheon with 2 screws

⇒ **jam-free connection of
rod control**

- shaft engages completely in to the gear

⇒ **improved force transmission**

Advantage ③



distance: 1mm to 3mm

**constant pivoting radius,
independent from mounting type**

- combination with cam -

- cam is fixed to the shaft by means of an adapter
- no straining forces to affect the rod control :
 - ⇒ **smooth, permanent running**
 - ⇒ **reliable mounting**

Advantage ④

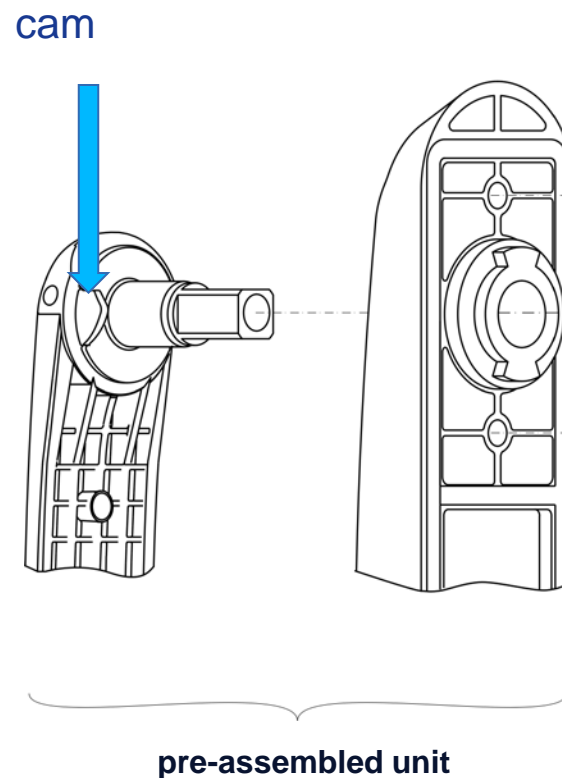


optimized haptics

- on the bottom the swinghandle is conically shaped
 - ⇒ the handle has an agreeable grip
- design ideally adapted to haptic
 - ⇒ handle is free from disturbing edges

Locking systems in standard black

Advantage ⑤



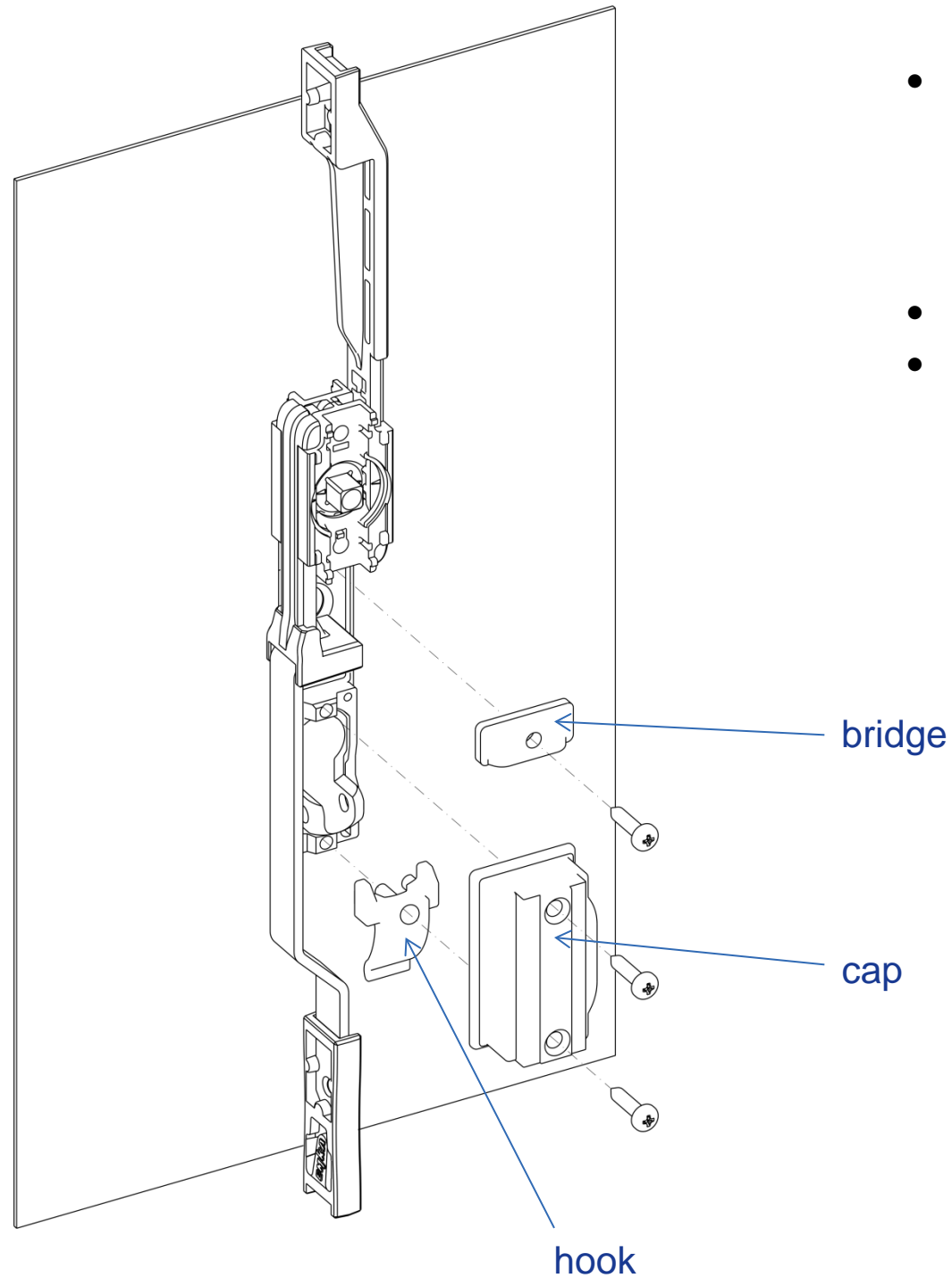
Integrated scratch protection to avoid surface damage

- on both sides, the handle has two cams in the area of the shaft, which only dip into the escutcheon if the handle stands parallel to the escutcheon.
- when pivoting the handle, the cams move on a circular path in the escutcheon and by this a contact is avoided (abraision when pivoting)

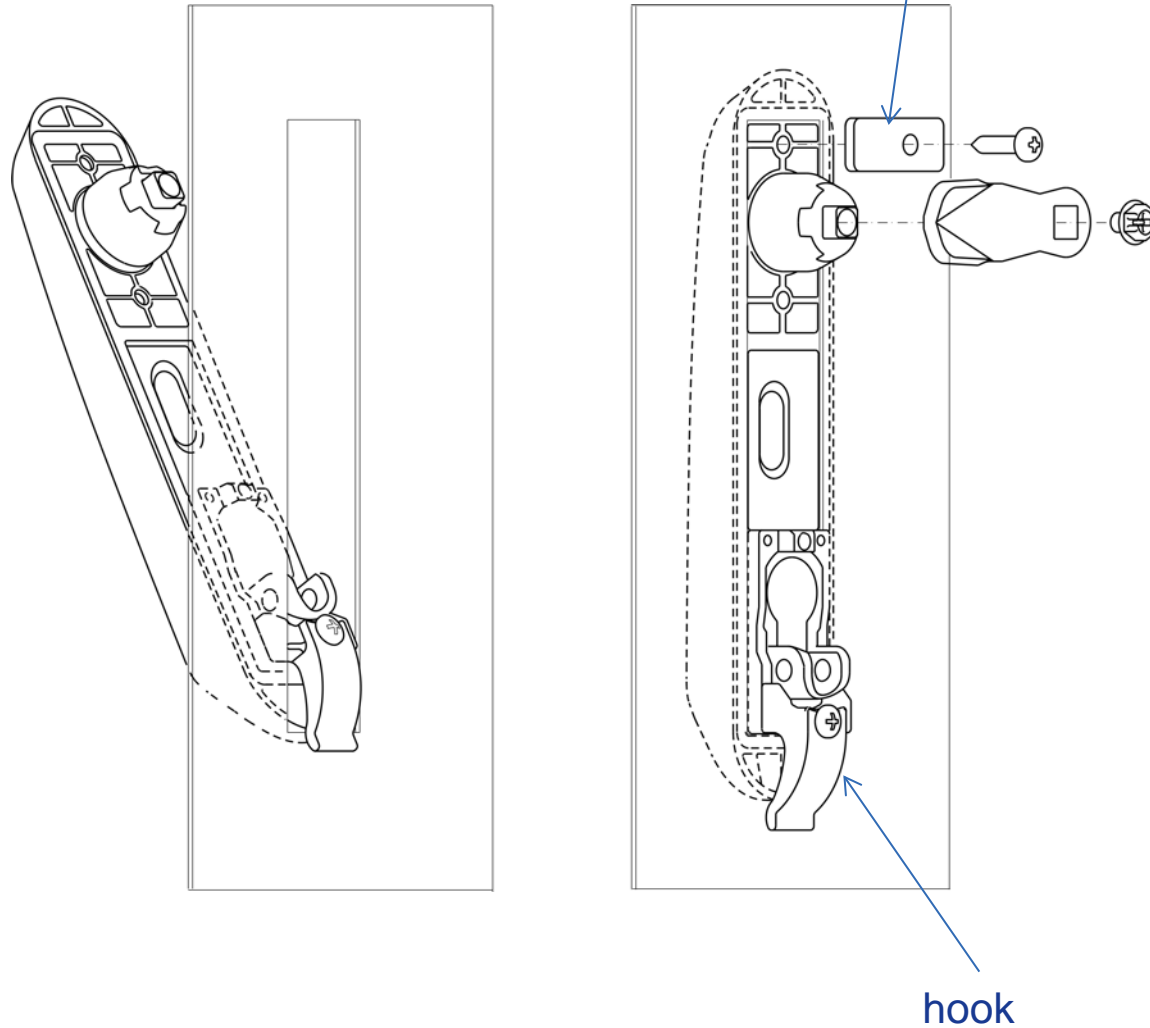
Further advantages

flexible mounting

- mounting of rod control with
1. hook IP40
2. cap IP65
- mounting with cam and bridge
1. hook IP40
2. cap IP65



Further advantages



quick mounting

- version with cam -

- low cost installation with hook and fixing bridge
- alternatively: cap design
- uniform escutcheon for hook or cap
- hook for sheet thicknesses 0.8...1.5 mm (up to 2.0 under appraisal)

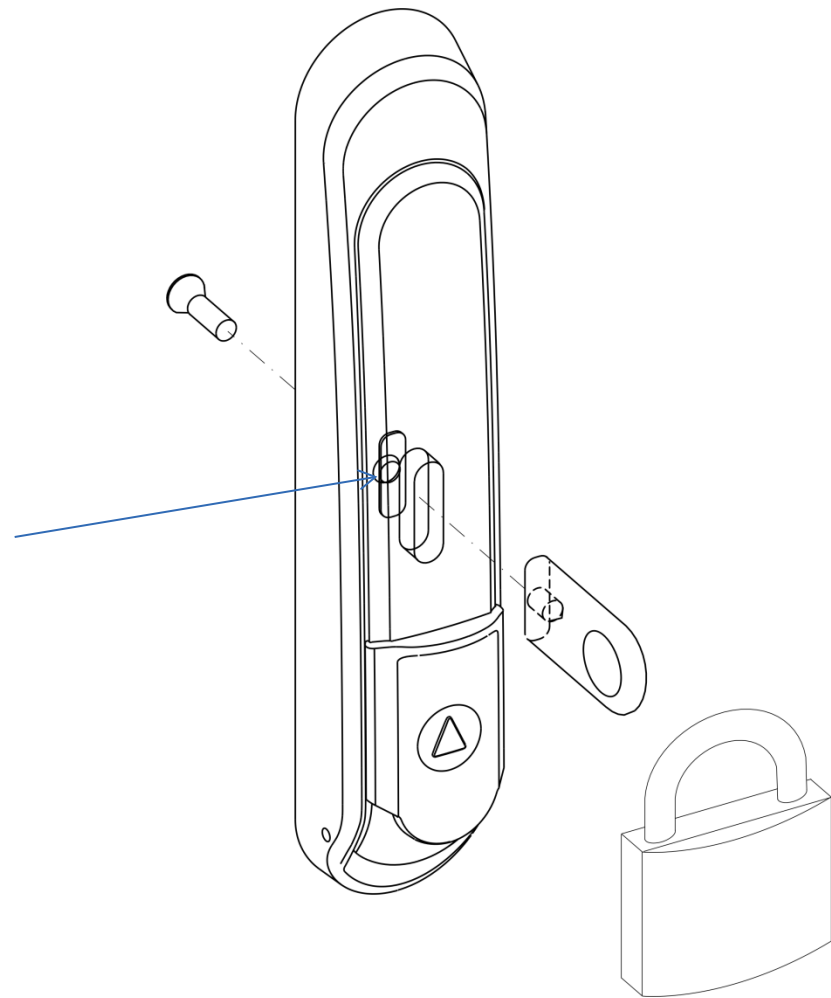
Further advantages

version prepared for padlock

•The locking pin for the padlocks is inserted through a milled cut-out into the handle and screwed on the rear.

⇒ Small quantities can be made very quickly.

milled cut-out
in handle and
escutcheon





Colour- and Material Options



In the standard version the swinghandles 1325 are delivered in fibre reinforced high-performance plastics (colour: black).

Coloured versions and versions GDZn are possible on request (with powder coating; colour at choice).



**Product
Presentation**

Accessories

Escutcheon



- escutcheon for 50-50-50er cut-out
- all standard inserts
- same design for hook and cap
cap IP 65
hook IP 65 for several sheet thicknesses

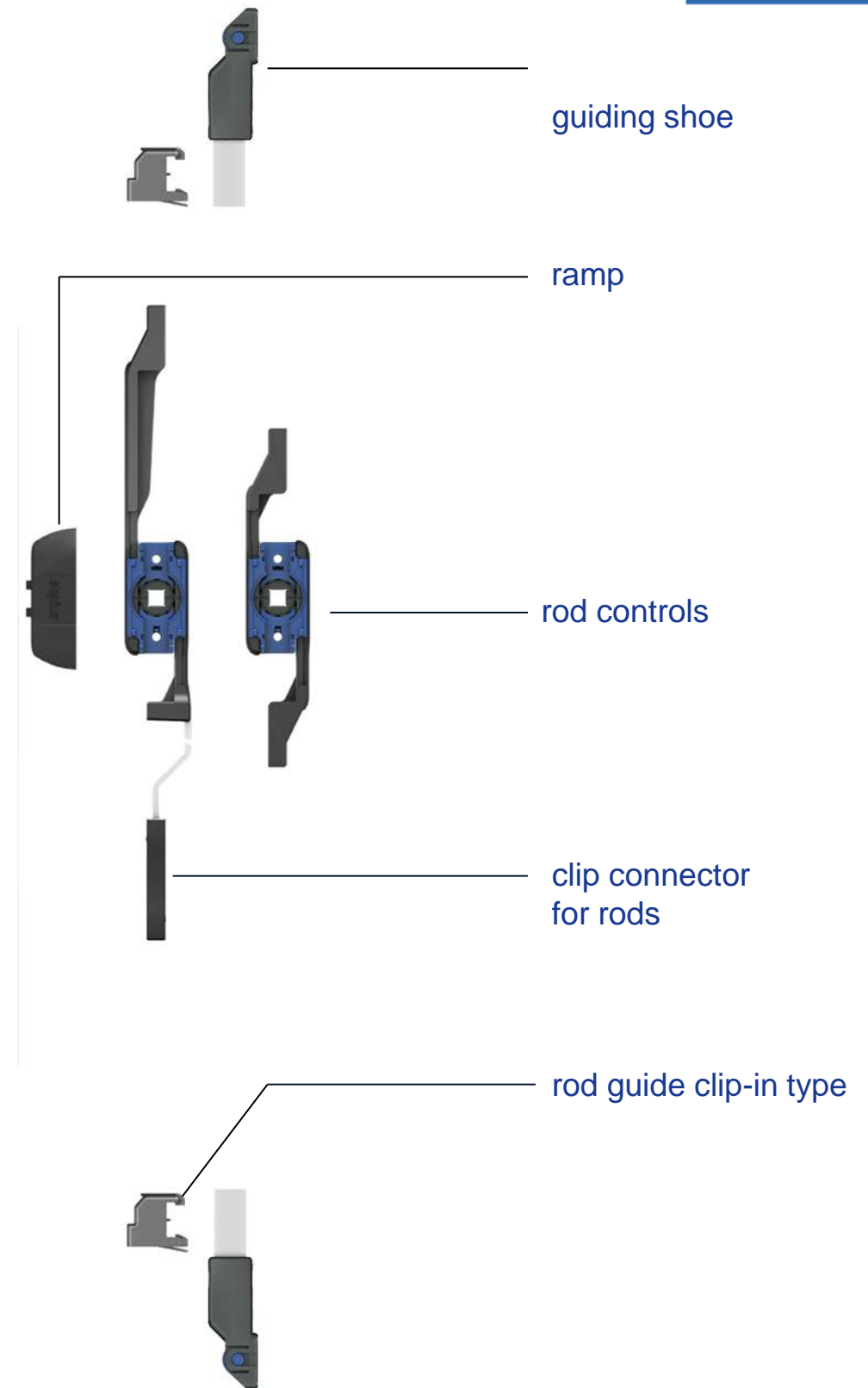
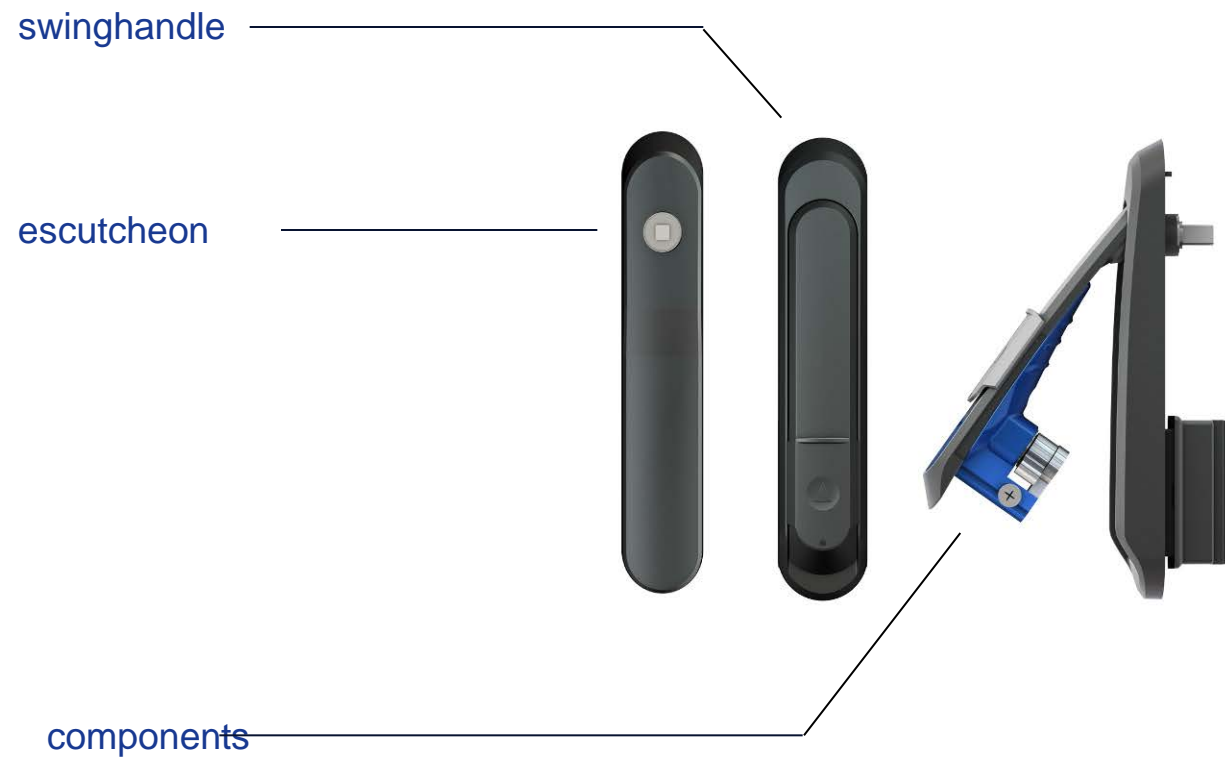


Optimal locking system

Redefined Standards

„... perfectly adapted system parts improve the quality of the total system.“

Optimal locking system



Articles are in standard black

Advantage of system

Swinghandle:

- Innovative design
- Variable locking system

Rod control

- Optimal running characteristics (even in case of high gasket pressure)
- rattle free rod connection

Rod guide

- Highest resistance to demolition

Guiding shoe

- early „catch“ of the door

...for all components applies:

- adapted high quality materials
- fast clip-in assembly
- V0-quality (meet electrical standards)
- RoHS / WEEE conform

Articles are in standard black



product
design award

2013



***Thank you for your
attention.***

For further information please contact:

EMKA (UK) Ltd
Patricia House
Bodmin Road
Coventry
West Midlands, CV2 5DG
United Kingdom
Tel: 024 7661 6505
Fax: 024 7661 2837
e-mail: emka@emka.co.uk
www.emka.co.uk

For all our latest news and information see
our blog – www.emkablog.co.uk
Like us on facebook: [emkauk](https://www.facebook.com/emkauk)
Follow us on twitter: [@emkauk](https://twitter.com/emkauk)